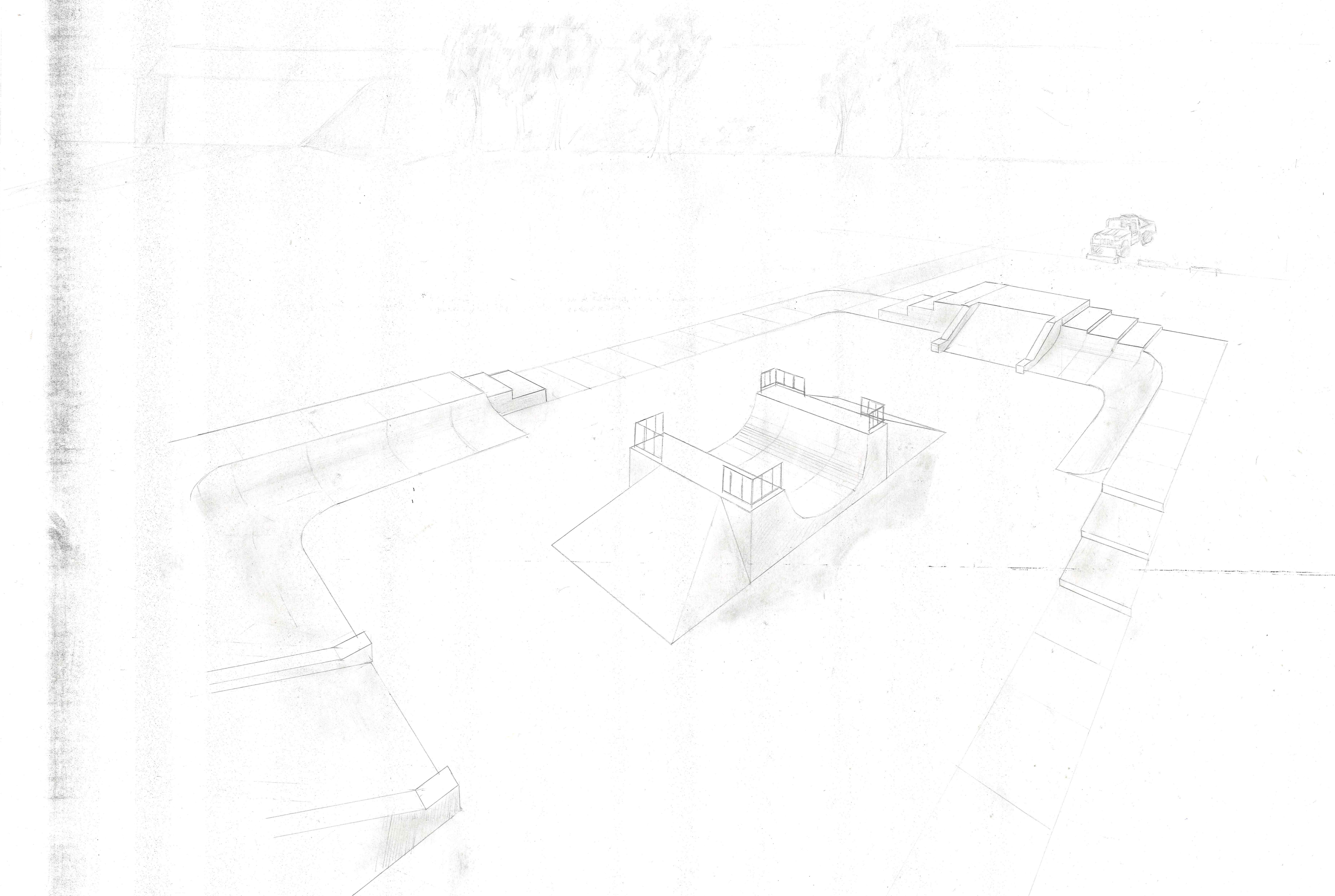


ONEONTA  
SKATE PARK

BWH  
6/4/2000





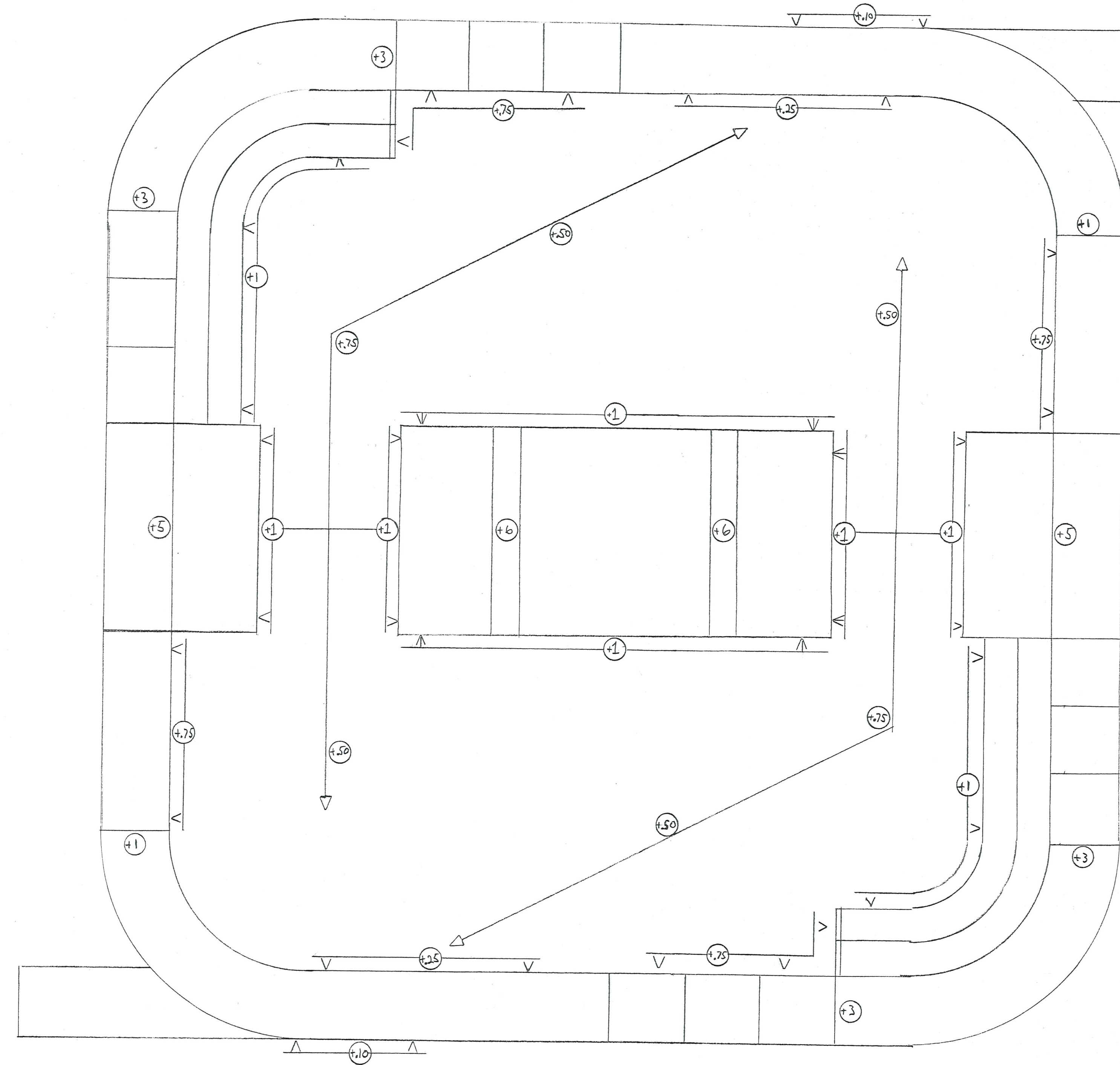
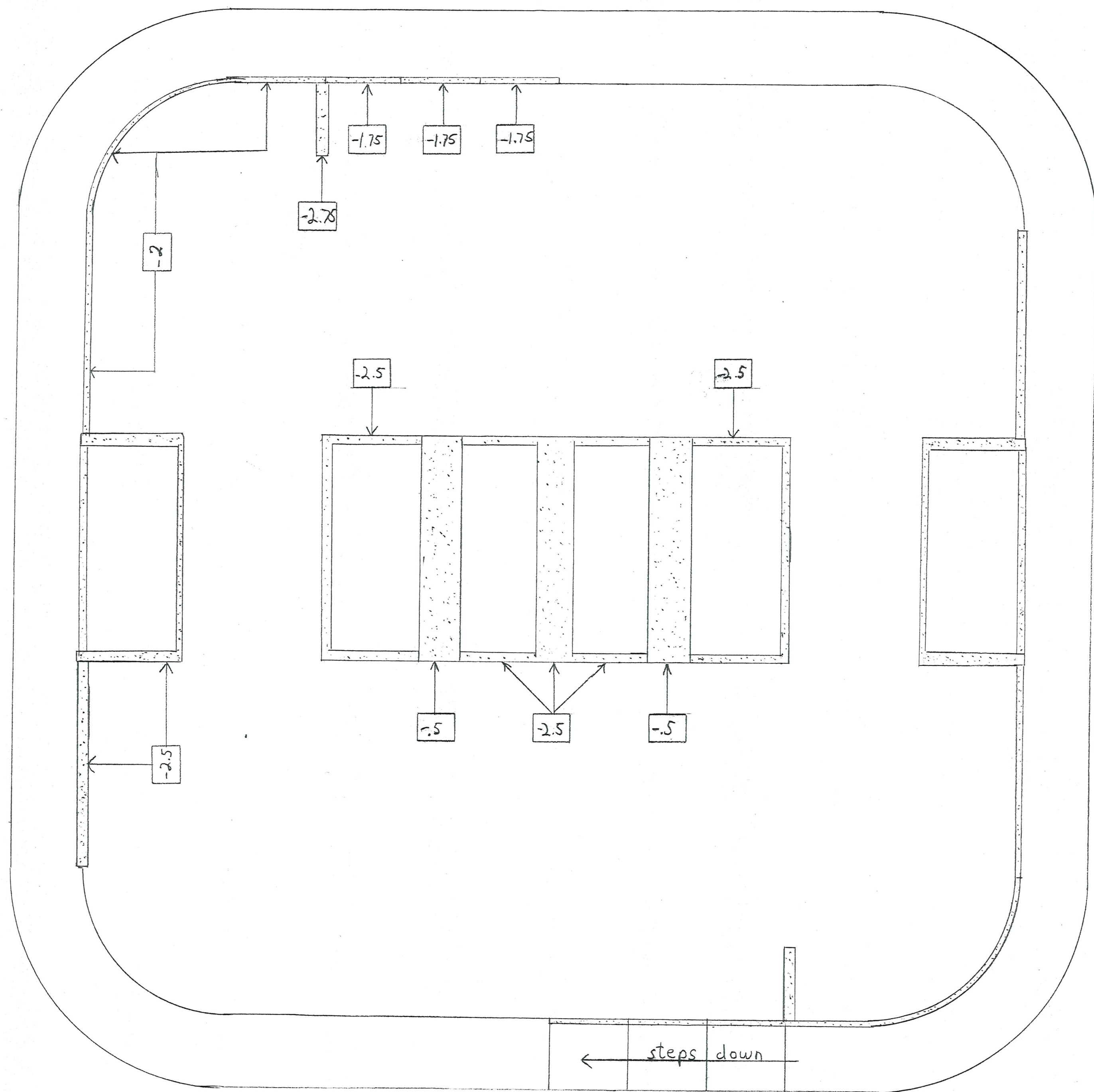
ONEONTA  
SKATE PARK

BWH  
6/14/2000









Footing Plan

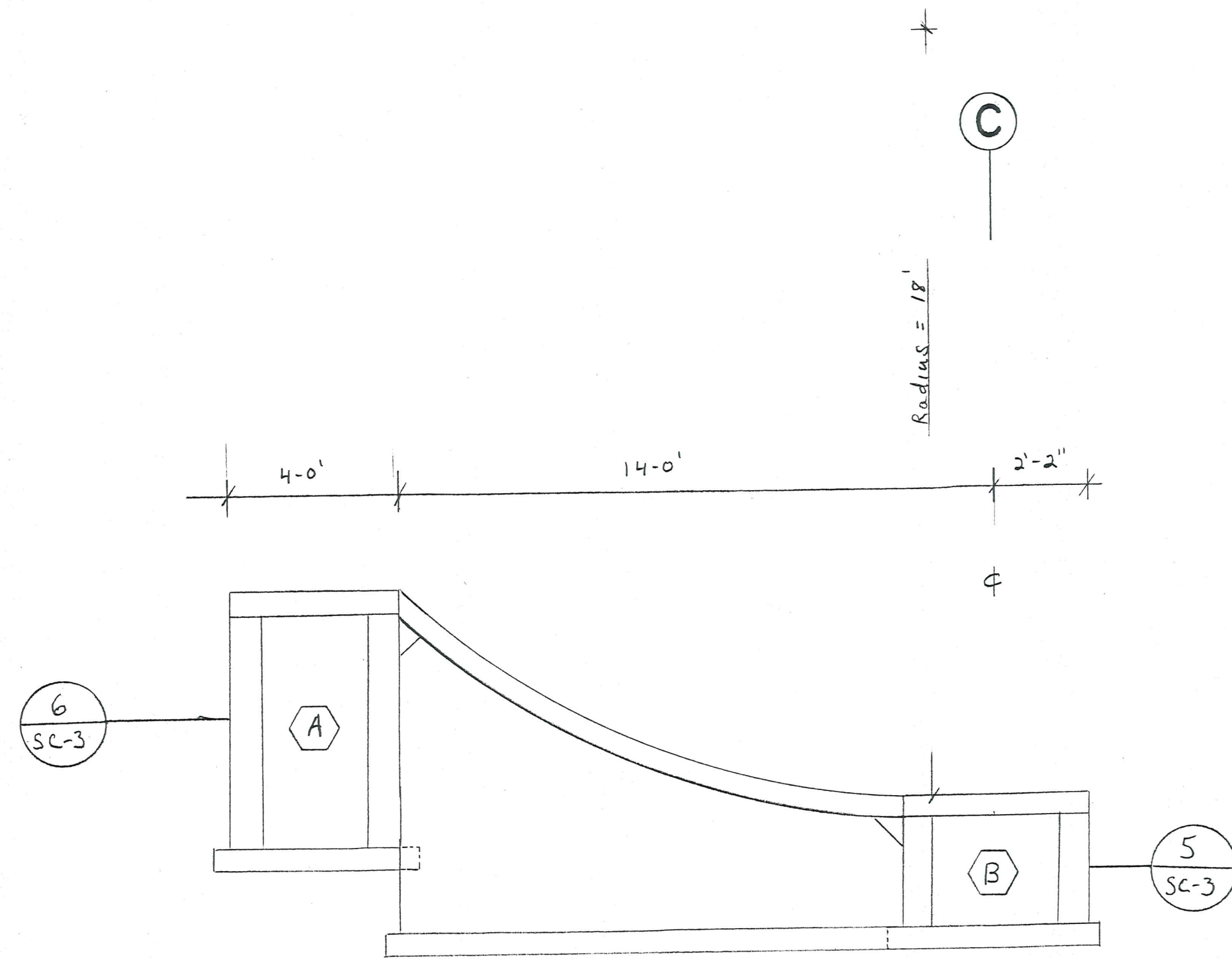
- = Location of footing or b.o. grade beam.
- +1.5 = Elevation at b.o. footing or grade beam tenths/foot

Storm drainage-Final grade plan

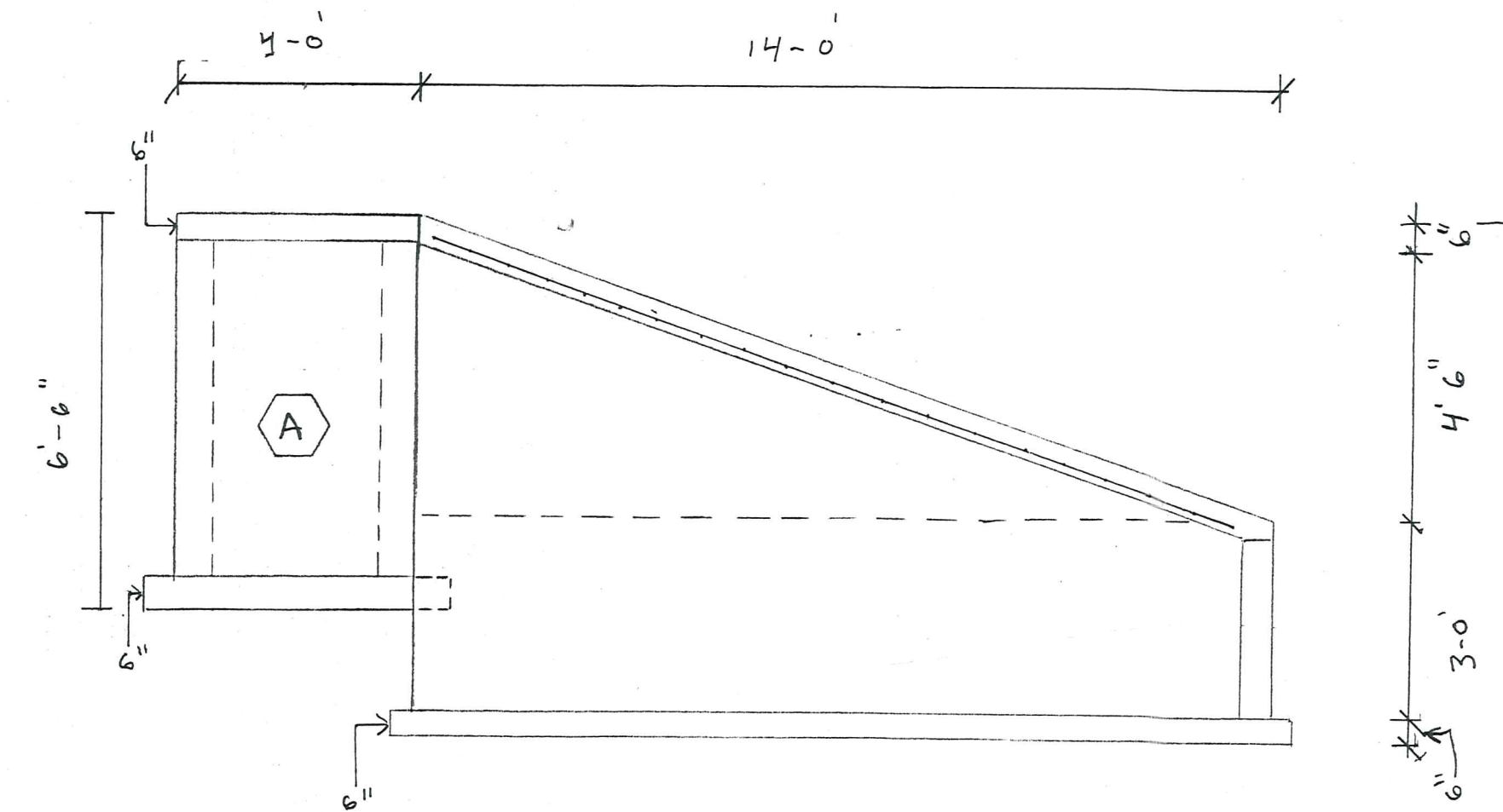
⊕ Spot elevation - Tenths Foot  
 Δ elevation at joint of asphalt concrete.

<b>ONEONTA PARK</b>		
SCALE: 3/32" = 1'	APPROVED BY:	DRAWN BY:
DATE:	REVISIONS:	REVISIONS:
Storm Drainage / Foundation Layout		
DRAWING NUMBER		SC -

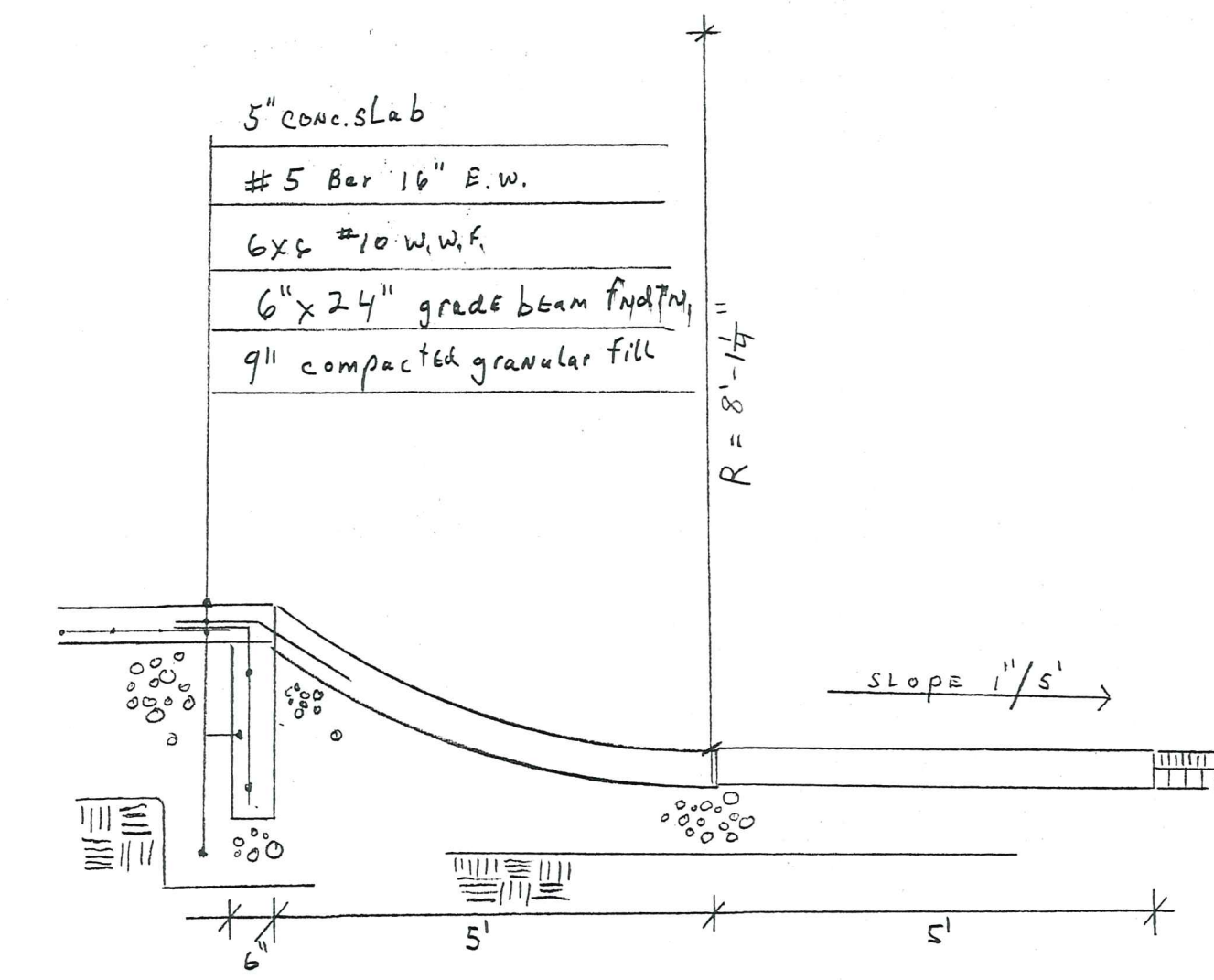




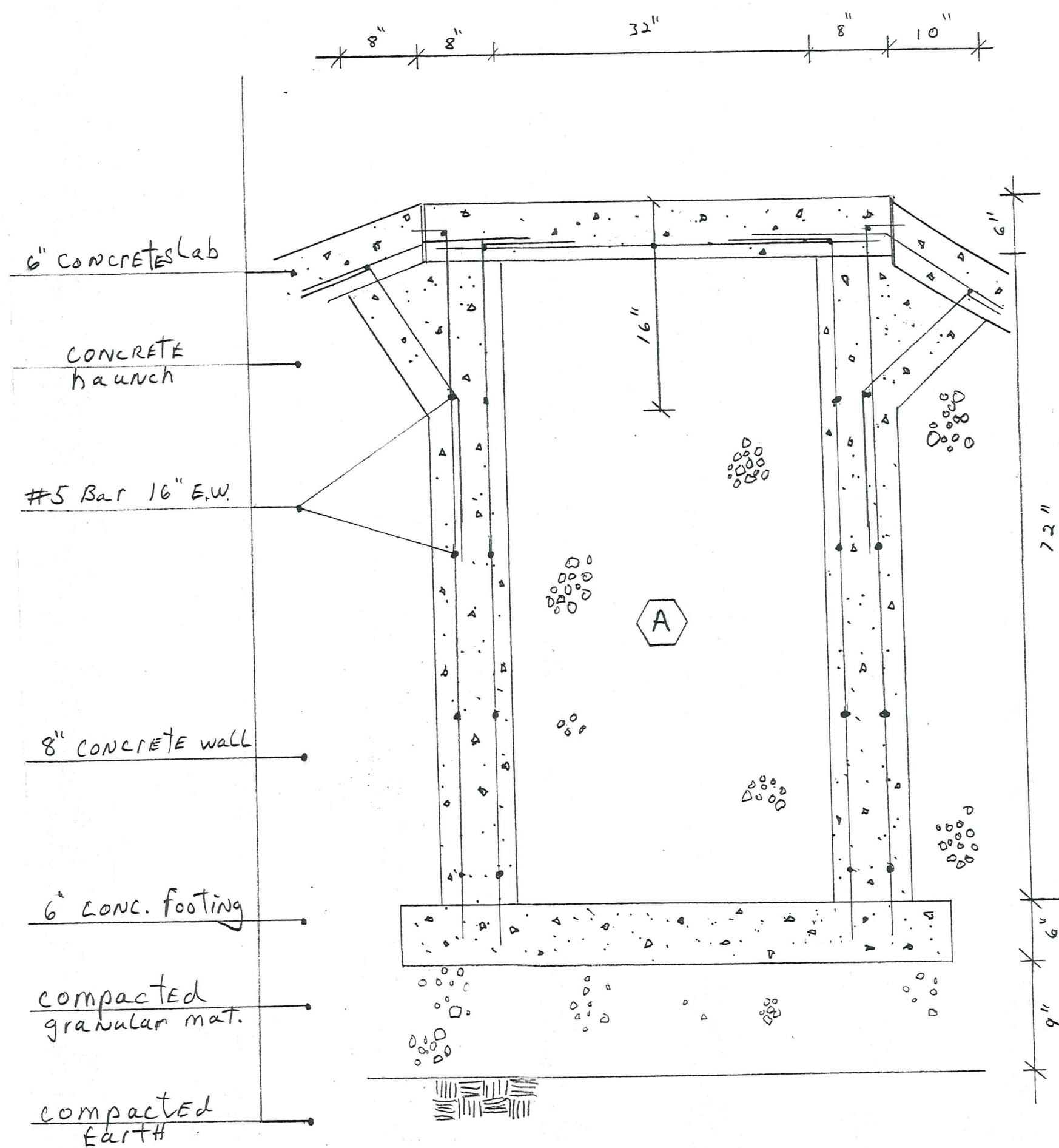
① foundation section half pipe  $\frac{3}{8}'' = 1''$



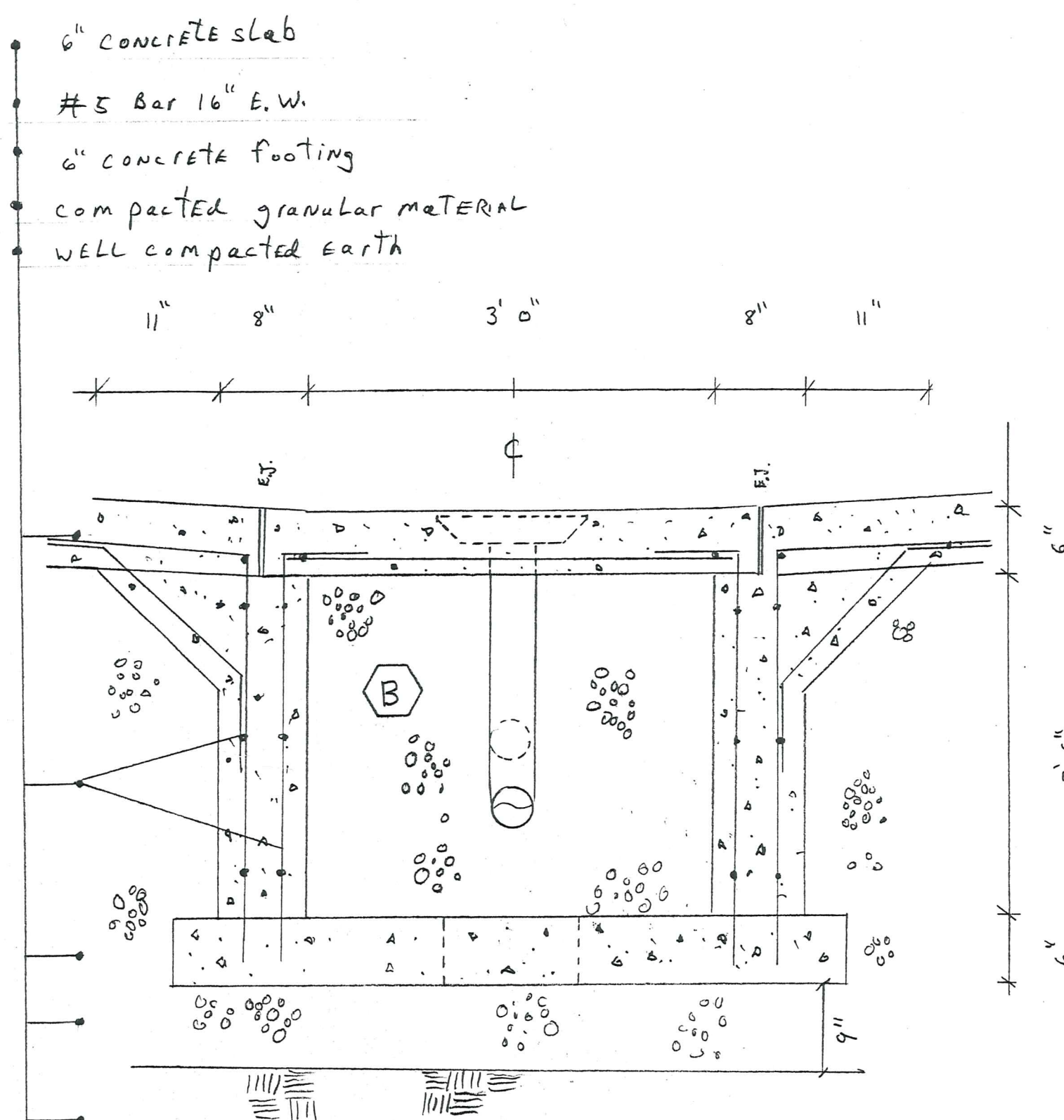
② foundation section ramp "A"  $\frac{3}{8}'' = 1''$



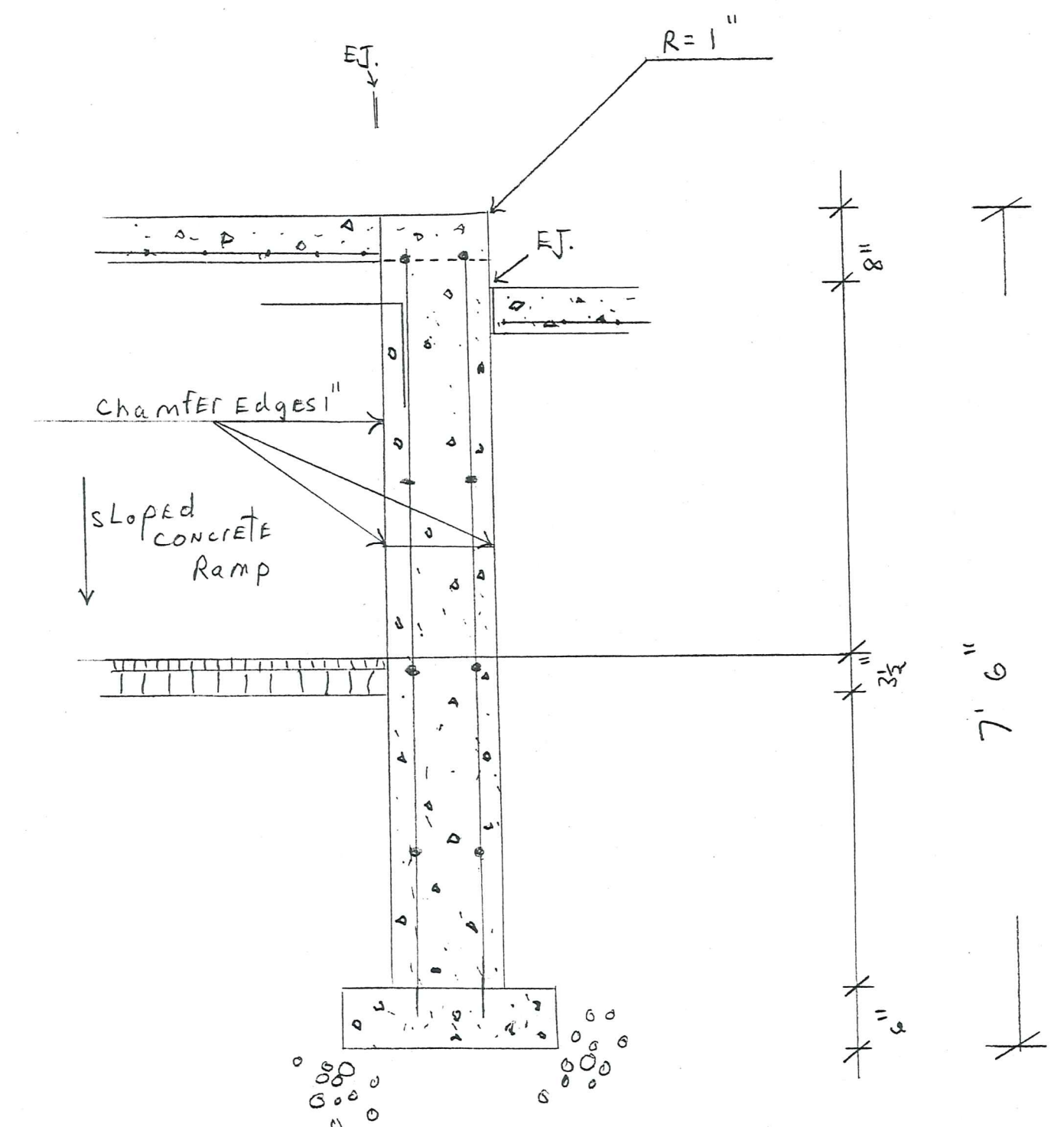
③ grade beam/sidewalk section  $\frac{1}{2}'' = 1''$



④ foundation detail  $1'' = 1''$



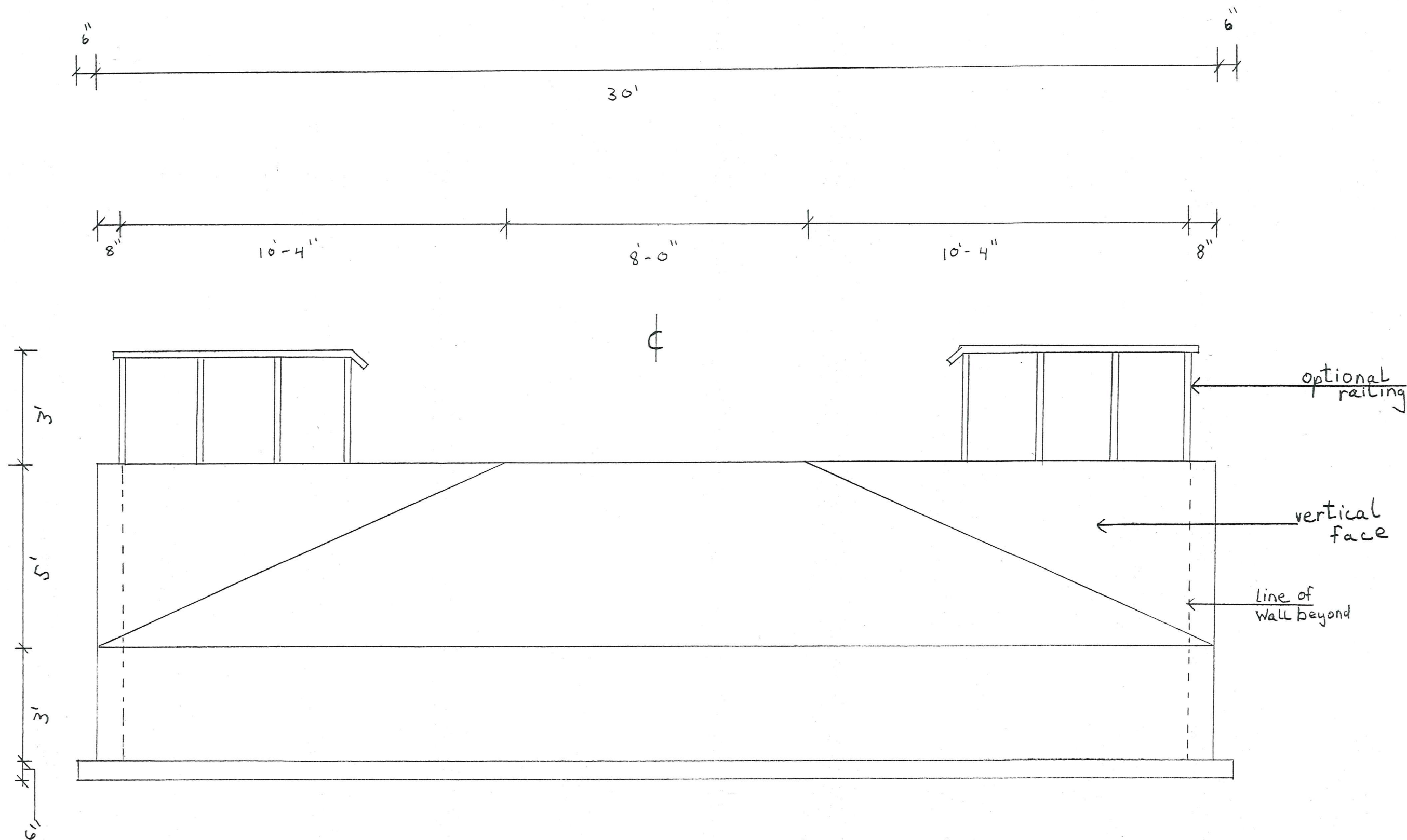
⑤ foundation detail  $1'' = 1''$



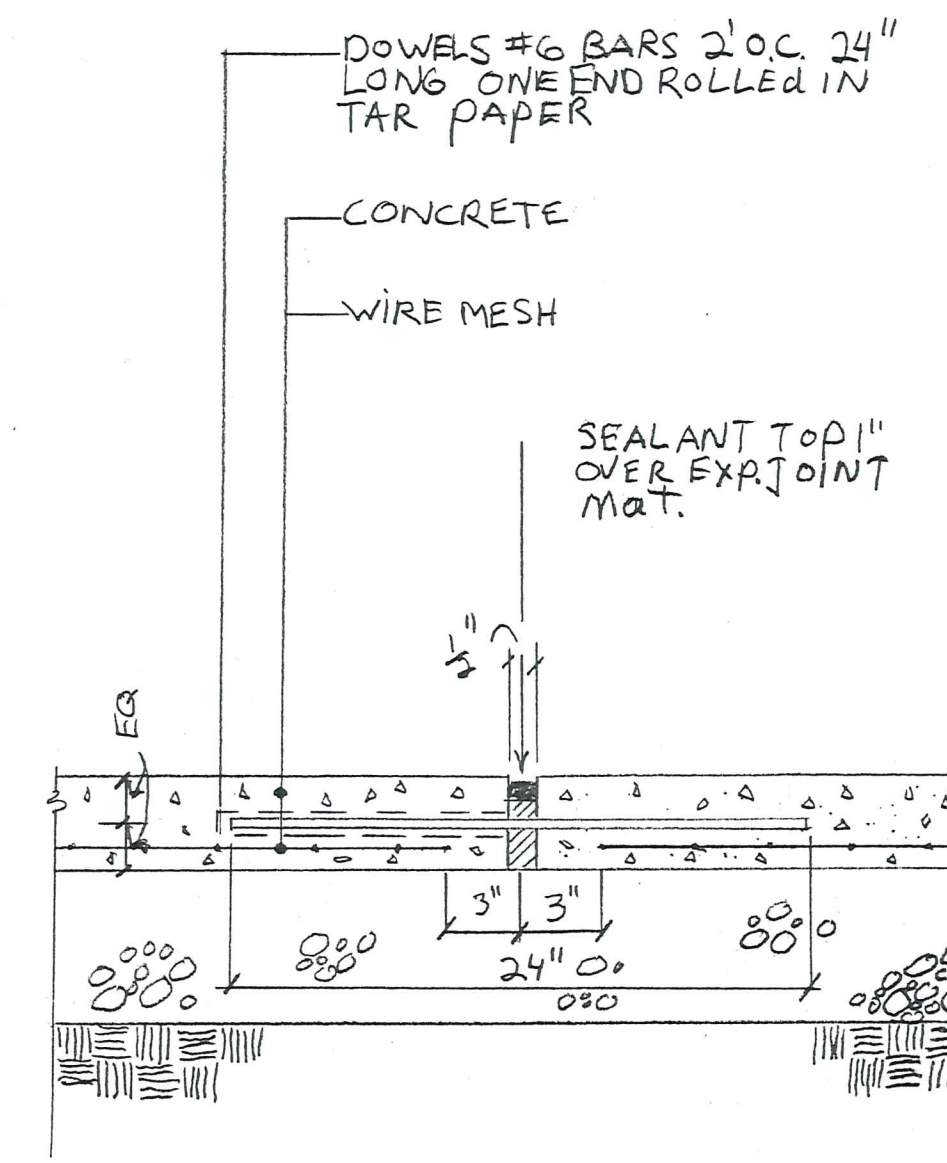
⑥ wall detail @ ramp "b"  $\frac{3}{4}'' = 1''$

<b>ONEONTA PARK</b>	
SCALE: As noted	APPROVED BY:
DATE:	REVISION:
foundation sections / DETAILS	
DRAWING NO. SC-3	

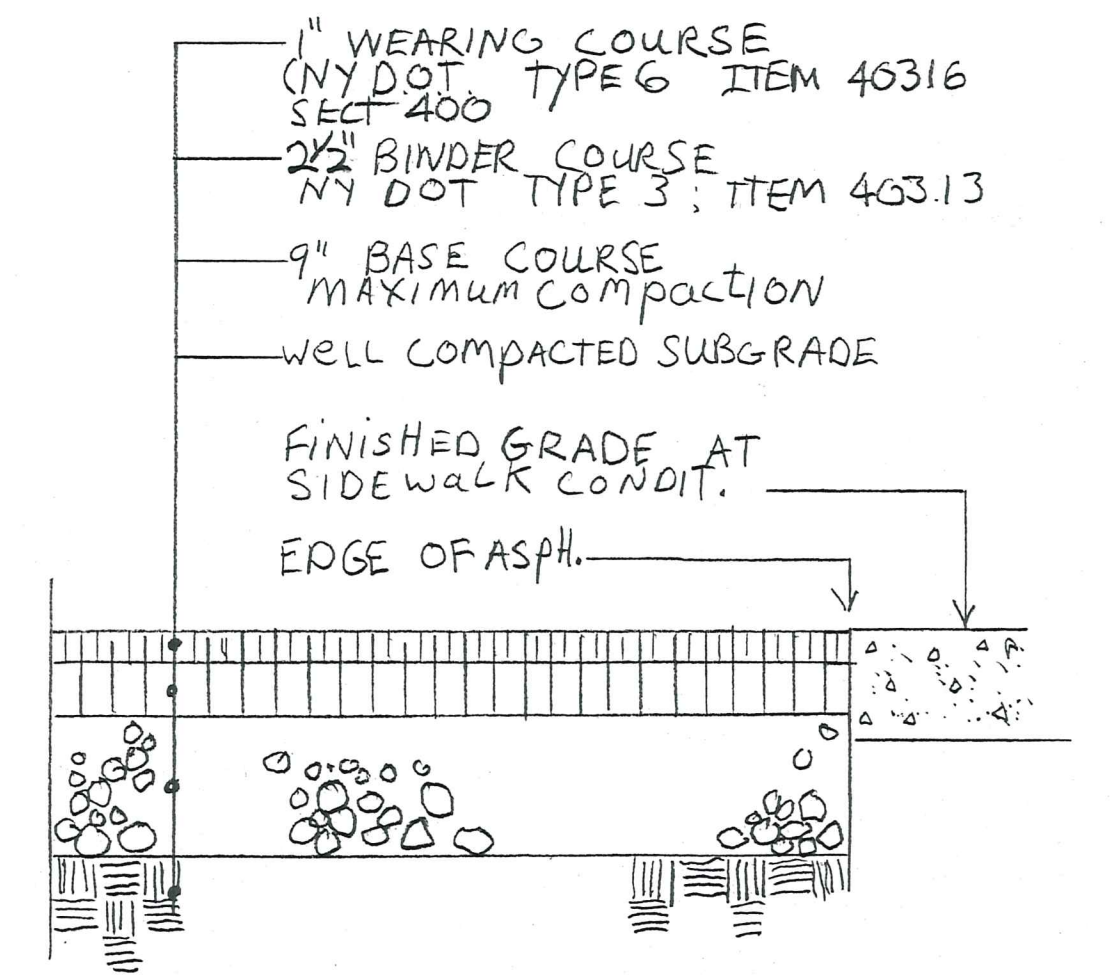




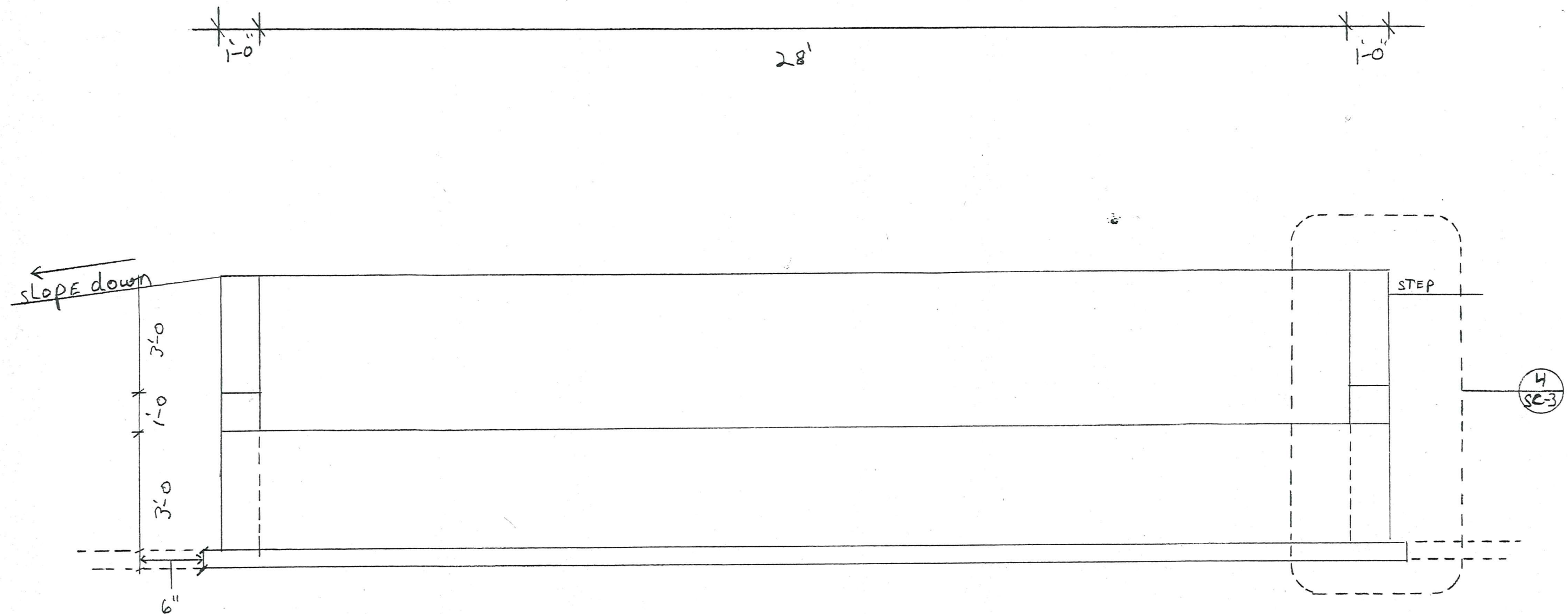
1 ELEVATION RAMP "A" SCALE  $\frac{3}{8}'' = 1'-0''$



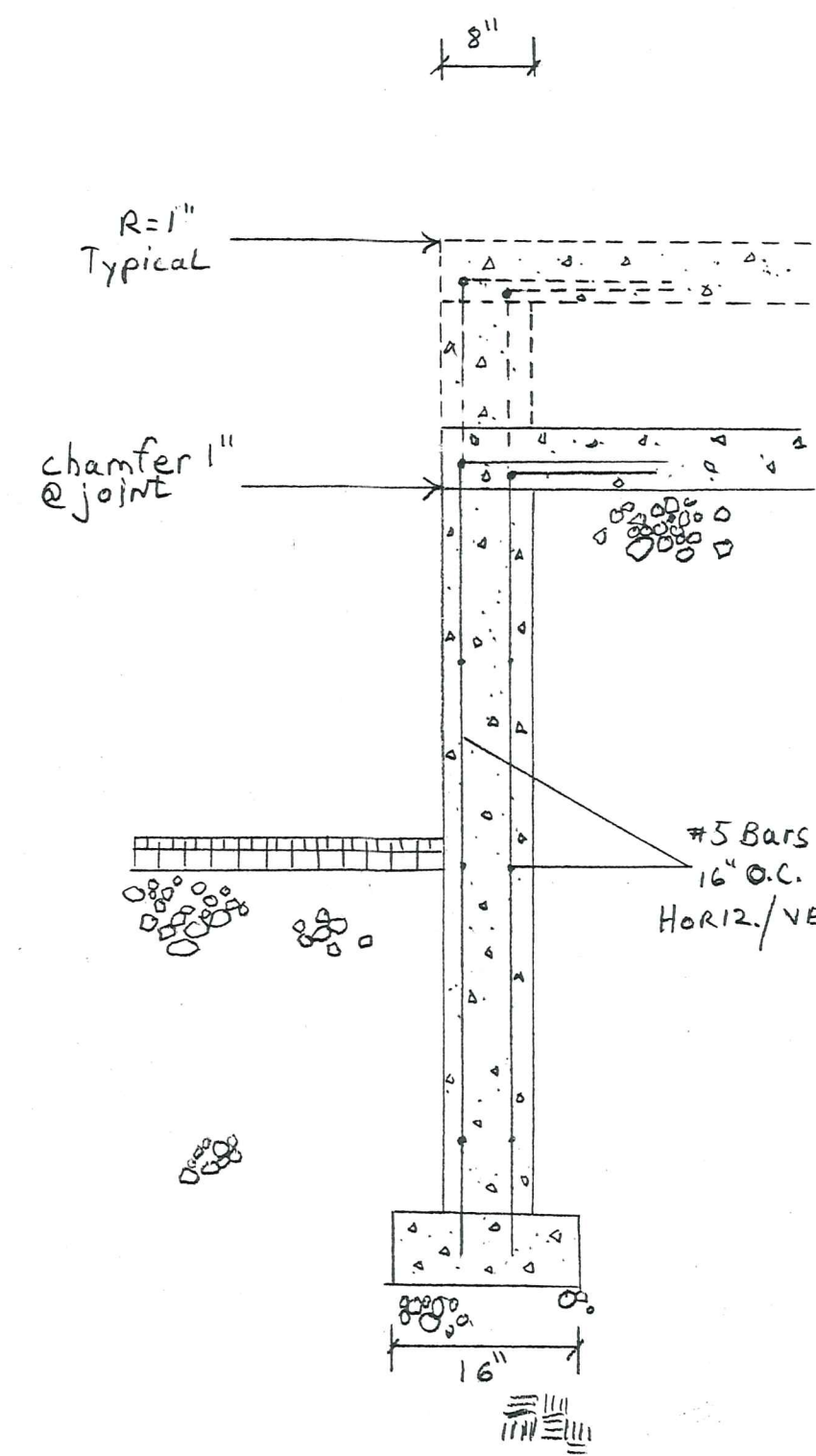
EXPANSION JOINT @ ALL CONCRETE PAVEMENTS N.S.



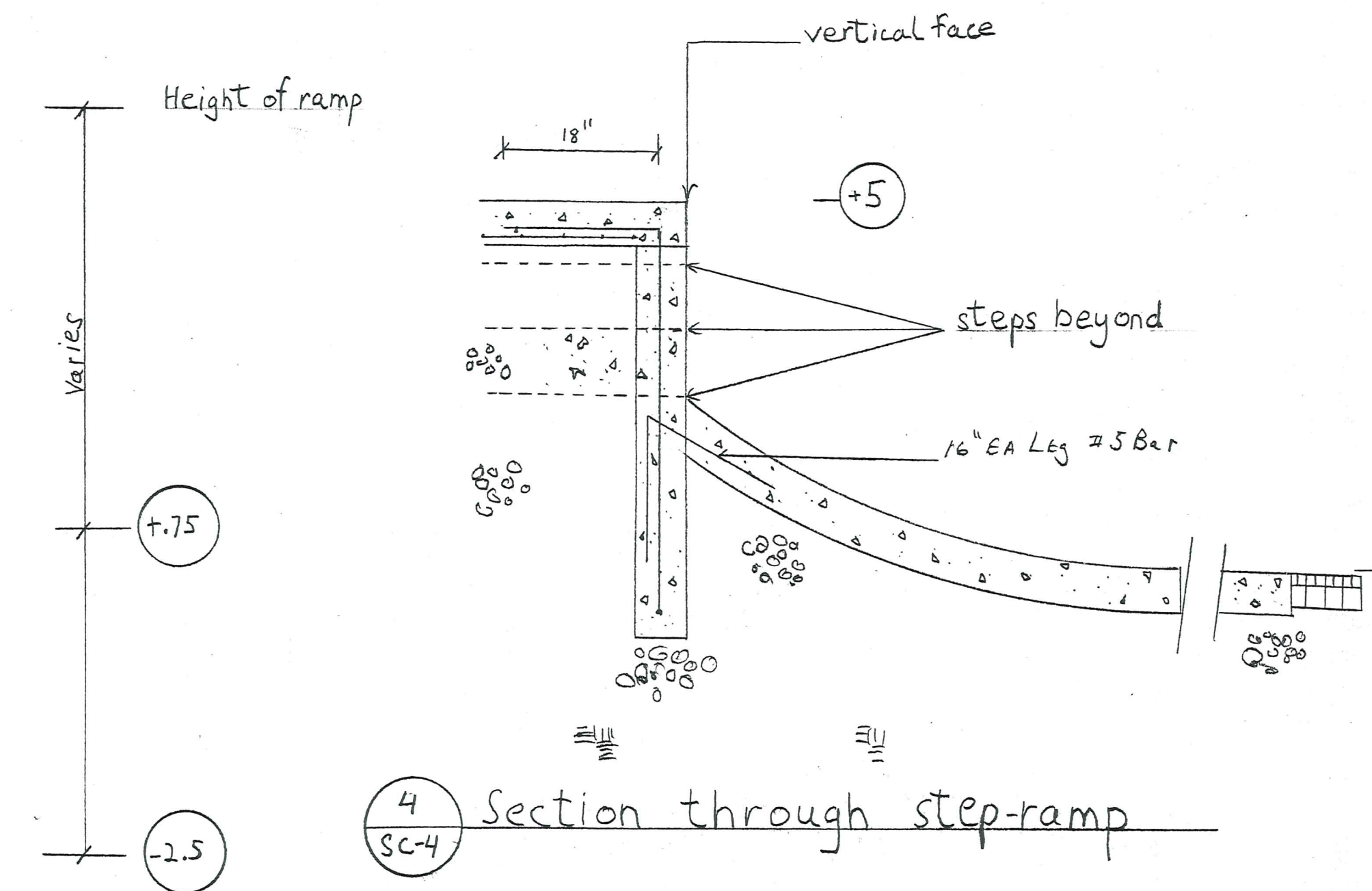
ASPH. CONCRETE PAYMENT N.S.



2 ELEVATION RAMP "B" Scale  $\frac{3}{8}'' = 1'-0''$



3 Section through sidewalk-ramp "C"

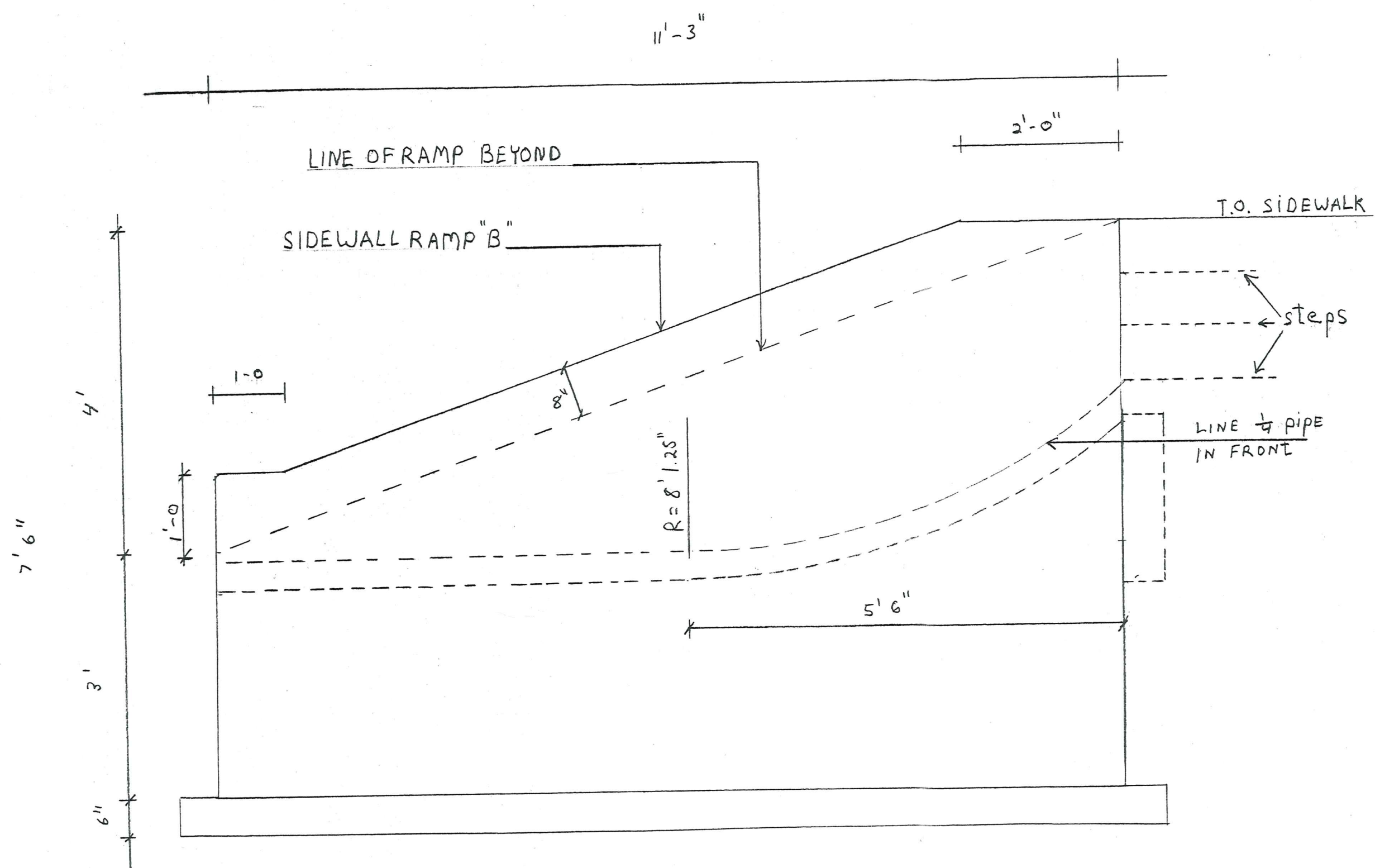
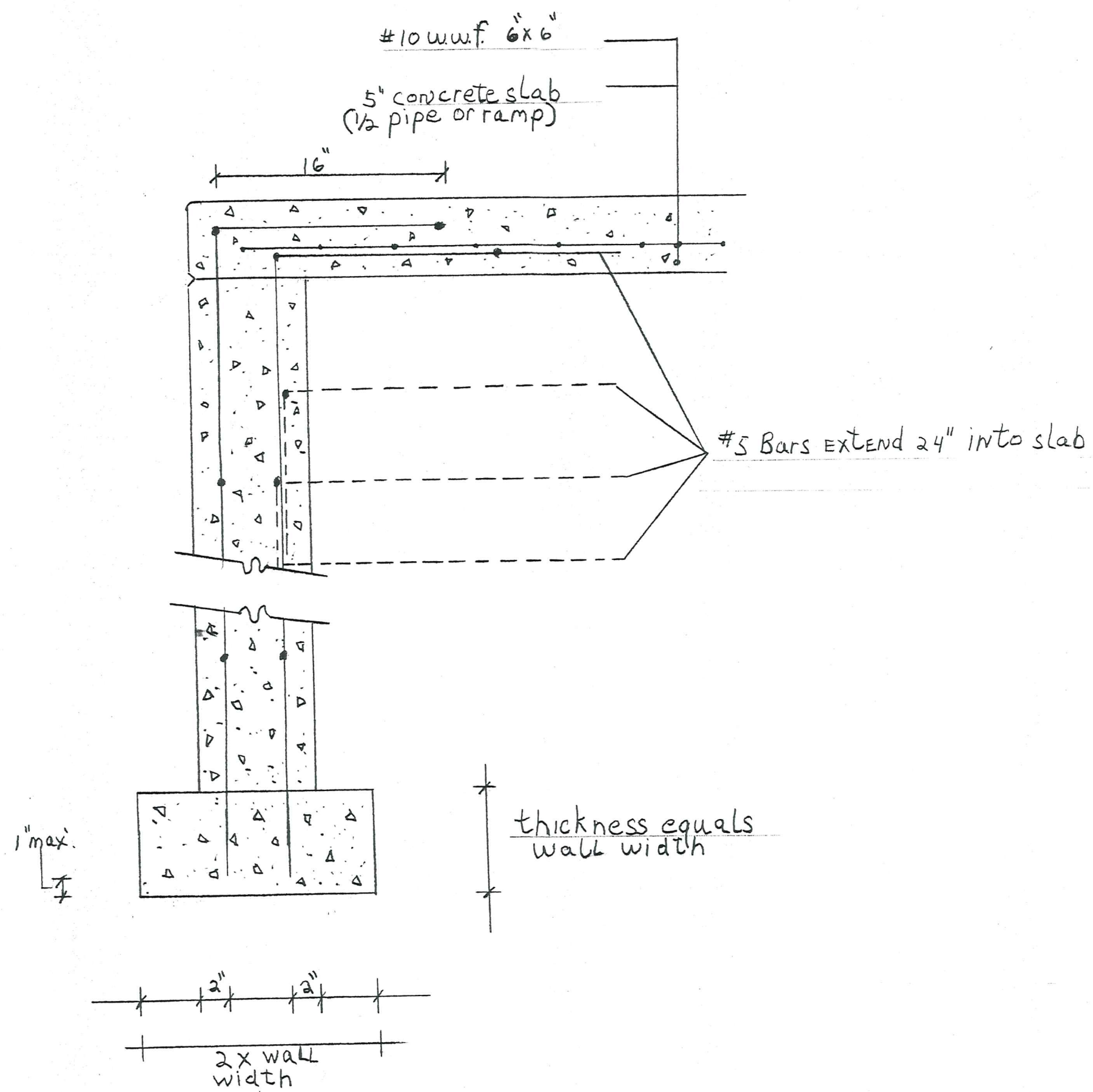


4 Section through step-ramp

$\frac{3}{8}'' = 1'-0''$  SCALE

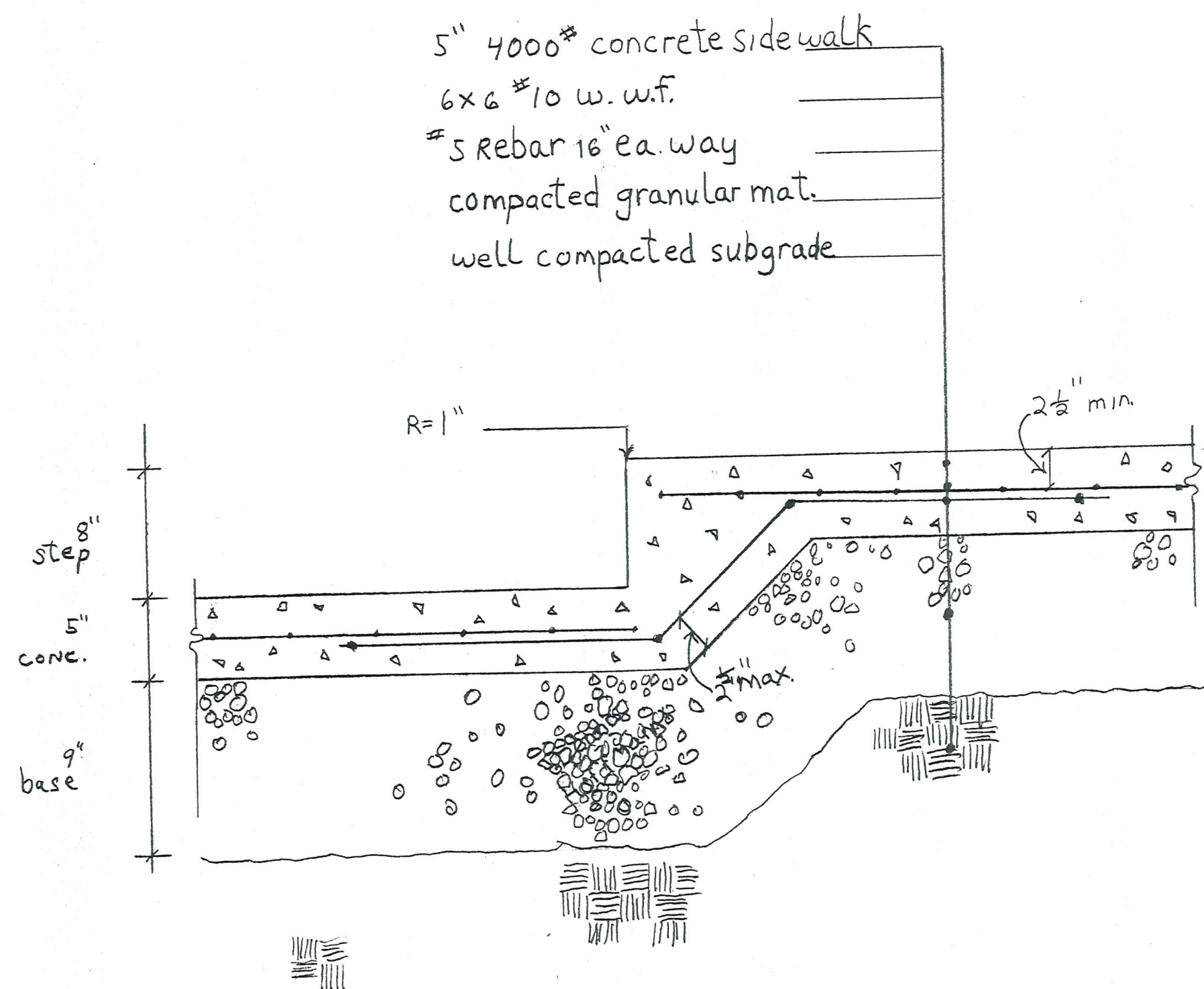
ONEONTA PARK		
SCALE as noted	APPROVED BY:	DRAWN BY G
DATE:	REVISID	REVISID
ELEVATIONS / SECTIONS / DETAILS		
DRAWING NUMBER SC		





3 SC-5 Elevation sidewall ramp "B" - component geometry scale 3/4" = 1'-0"

1 SC-5 Section ramp/wall connections n.s.



2 SC-5 Section sidewalk step scale 1 1/2" = 1'-0"

ONEONTA PARK			
SCALE: as noted	APPROVED BY:	DRAWN BY:	
DATE:		REVISED:	
Misc. Site Details			
			SC